

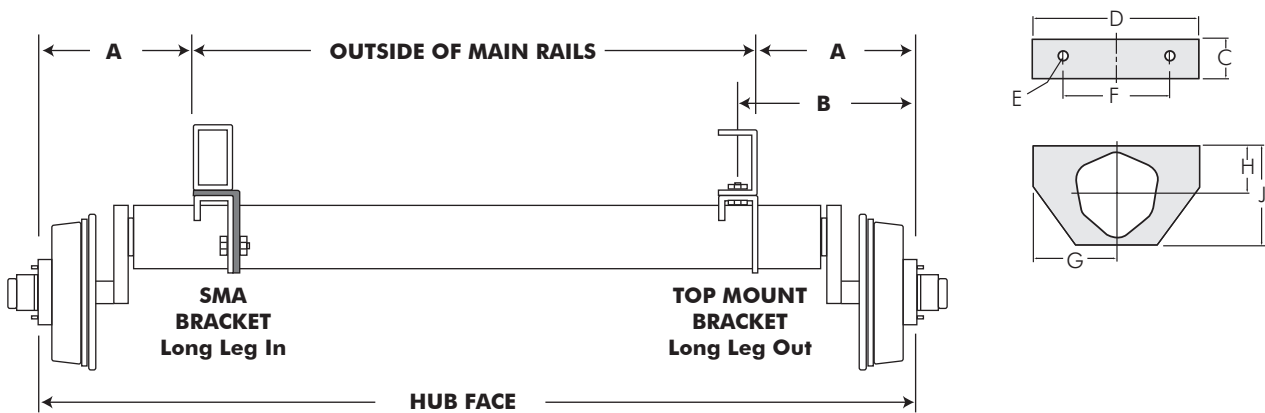


8,000# with 89 Spindle AL-KO Rubber Suspension Axles

Made to Order

Type	Capacity Max	Min	A* Max	Min	B Max	C	D	E	F**	G	H	J
K-80	8,000	7.5	10.5	8.8	11.8	2.6	13.0	0.71	9.1	6.5	3.2	6.1

Note: * Add 1" to min. for side mount brackets turned outward.

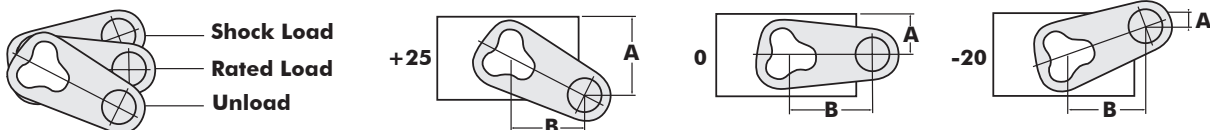


K-80	Start Angle	A			B		
		Unloaded	Rated Load	Shock Load	Unloaded	Rated Load	Shock Load
	+25	5.7	3.2	1.6	5.4	6.0	5.7
	0	3.2	0.8	(0.7)	6.0	5.5	4.6
	-20	1.2	(0.9)	(2.2)	5.6	4.6	3.5

Note: Figures in () indicate spindle center above top of bracket.

Total Swing Arm Travel

Standard Starting Angles



These axles available on request