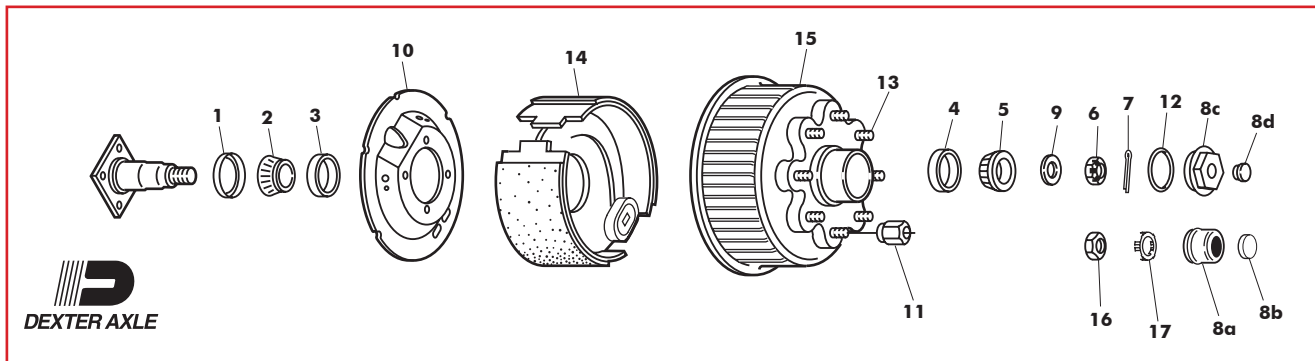


### Hubs & Drums for "Dexter" 8K Axles



#### Oil Lube Parts

| Item # | Description                         | Mfg #      | Part # |
|--------|-------------------------------------|------------|--------|
| 1      | Seal (unitized)                     | 010-063-00 | 91063  |
| 2      | 25580 Inner Bearing Cone            | 031-030-02 | 25580  |
| 3      | 25520 Inner Bearing Cup             | 031-030-01 | 25520  |
| 4      | 02420 Outer Bearing Cup             | 031-028-01 | L2420  |
| 5      | 02475 Outer Bearing Cone            | 031-028-02 | L2475  |
| 6      | Spindle Nut                         | 006-176-00 | 4210   |
| 7      | Cotter Pin                          | 019-002-00 | 34007  |
| 8c     | Oil Cap                             | 021-035-00 | 121035 |
| 8d     | Oil Cap Plug                        | 046-032-00 | 146032 |
| 9      | Spindle Washer                      | 005-057-00 | 105057 |
| ns     | Oil Filler Plug (service part only) | 046-052-00 | 146052 |
| 12     | "O" Ring                            | 010-045-00 | 110045 |

#### Grease Lube Parts

| Item # | Description                       | Mfg #      | Part # |
|--------|-----------------------------------|------------|--------|
| 1      | Seal (unitized)                   | 010-063-00 | 91063  |
| 2      | 25580 Inner Bearing Cone          | 031-030-02 | 25580  |
| 3      | 25520 Inner Bearing Cup           | 031-030-01 | 25520  |
| 4      | 02420 Outer Bearing Cup           | 031-028-01 | L2420  |
| 5      | 02475 Outer Bearing Cone          | 031-028-02 | L2475  |
| 6      | Spindle Nut                       | 006-176-00 | 4210   |
| 7      | Cotter Pin (not for E-Z Lube™)    | 019-002-00 | 34007  |
| 9      | Spindle Washer                    | 005-057-00 | 105057 |
| 8a     | Grease Cap E-Z Lube™              | 021-043-01 | 121043 |
| 8b     | E-Z Lube™ Plug                    | 085-001-00 | 185001 |
| ns     | Grease Cap                        | 021-039-00 | 81605  |
| 16     | Special Jam Nut (after 2002)      | 006-191-00 | 106191 |
| 17     | Spindle Nut Retainer (after 2002) | 006-190-00 | 106190 |

#### ABS Components

| Item # | Description            | Mfg #      | Part # |
|--------|------------------------|------------|--------|
| ns     | Sensor, Straight       | 097-004-00 | 197004 |
| ns     | Sensor Block, Screw-in | 024-204-00 | 124204 |
| ns     | Sensor Retainer Clip   | 097-002-00 | 197002 |

#### 12 1/4" x 3 3/8" Brakes

| Item # | Description                          | Mfg #                 | Part #              |
|--------|--------------------------------------|-----------------------|---------------------|
| 10     | Dust Shield                          | 036-115-20            | 136115-20           |
| 10     | Dust Shield for Brakes w/Park        | 036-115-24            | 136115-24           |
| 14     | LH/RH Self-Adj. Electric Brake       | 023-434-00/023-435-00 | See Brake Section C |
| ns     | LH/RH Self-Adj. Hyd. Brake Duo-Servo | 023-402-00/023-403-00 |                     |
| ns     | LH/RH Self-Adj. Hyd. Brake DS w/Park | 023-171-00/023-172-00 |                     |
| ns     | LH/RH Hyd. Brake Uni-Servo           | 023-418-00/023-419-00 |                     |
| ns     | LH/RH Hyd. Brake Uni-Servo w/Park    | 023-252-00/023-253-00 |                     |

#### Brake Drums (8 on 6.50 Bolt Circle) Bearings NOT included

| Item # | Description            | Mfg #      | Part #    |
|--------|------------------------|------------|-----------|
| 15     | Grease 5/8" Studs      | 008-285-08 | 108285-08 |
| 15     | Grease 5/8" Studs ABS  | 008-285-15 | 108285-15 |
| 15     | Grease 9/16" Studs     | 008-285-11 | 108285-11 |
| 15     | Grease 9/16" Studs ABS | 008-285-13 | 108285-13 |
| 15     | Oil 5/8" Studs         | 008-285-10 | 108285-10 |
| 15     | Oil 5/8" Studs ABS     | 008-285-14 | 108285-14 |
| 15     | Oil 9/16" Studs        | 008-285-09 | 108285-09 |
| 15     | Oil 9/16" Studs ABS    | 008-285-12 | 108285-12 |

#### Idle Hubs (8 on 6.50 Bolt Circle) Bearings NOT included

| Item # | Description        | Mfg #      | Part #    |
|--------|--------------------|------------|-----------|
| ns     | Grease 5/8" Studs  | 008-287-07 | 108287-07 |
| ns     | Grease 9/16" Studs | 008-287-11 | 108287-11 |
| ns     | Oil 9/16" Studs    | 008-287-14 | 108287-14 |
| ns     | Oil 5/8" Studs     | 008-287-17 | 108287-17 |

#### Studs & Wheel Nuts

| Item # | Description             | Mfg #      | Part # |
|--------|-------------------------|------------|--------|
| 11     | 9/16 - 18 60° Cone      | 006-053-00 | 4227   |
| 11     | 5/8 - 18 90° Cone       | 006-109-00 | 4228   |
| 13     | 9/16 - 18 Press-in Stud | 007-132-00 | 107132 |
| 13     | 5/8 - 18 Press-in Stud  | 007-232-00 | 107232 |
| ns     | 5/8 - 18 Flange Nut     | 006-058-00 | 4233   |

ns = not shown

Information

Hubs and Axles

Brake Assemblies

Suspensions & Fasteners

Tires & Wheels

Couplers, Jacks & Winches

Hitches & Towing Accessories

Body Components

Boat Trailer Parts

Lights & Electrical

Cargo Control

Brake Actuating Systems

Switches