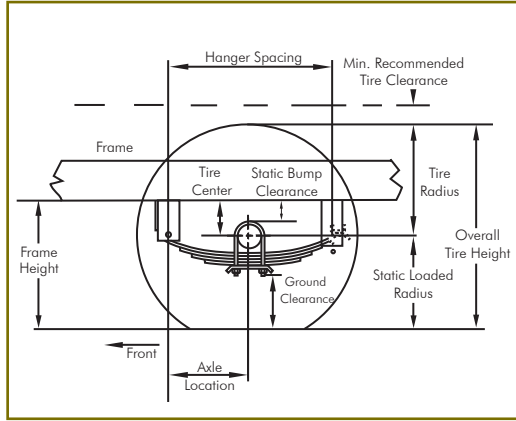
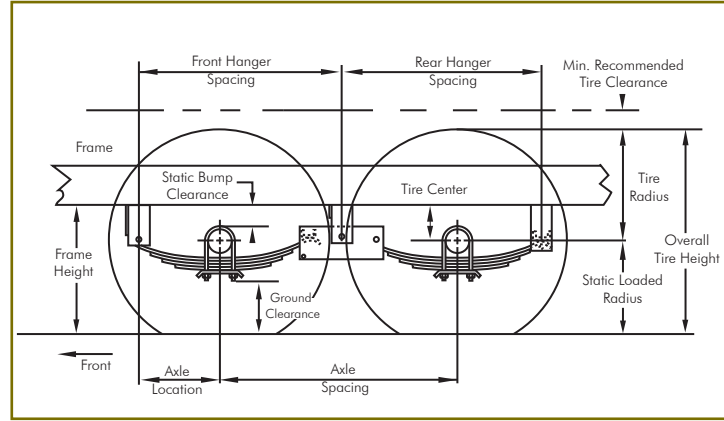




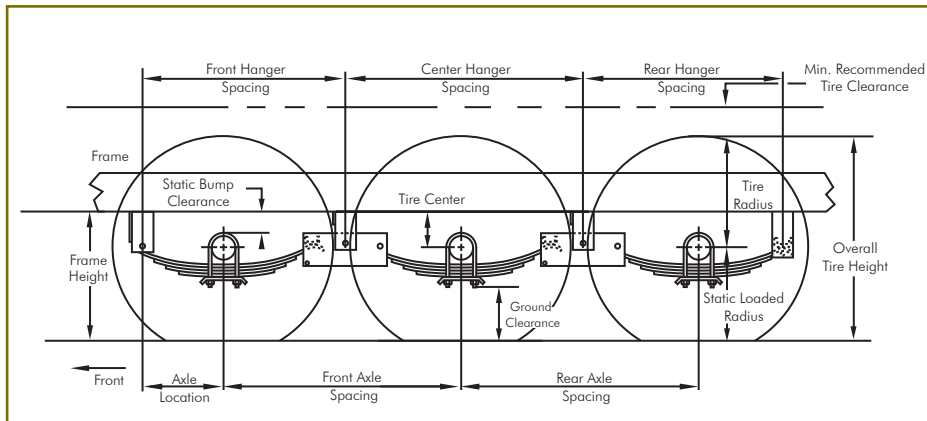
**SINGLE - Contains 1 Single Kit**



**TANDEM - Contains 1 Single Kit & 1 Multi Axle Kit**



**TRIPLE - Contains 1 Single Kit & 2 Multi Axle Kit**



**Single Axle 9K #100105**  
2" Wide Spring w/ 5/8" Spring Eye Bolt

**42.25" Multi-Axle 9K Conversion Kit #100205-02**  
2" Wide Spring

Part #	Dexter #	Qty	Description
128068-04	028-068-04	2	Front Hanger
130068-01	030-068-01	2	Rear Hanger
107181	007-181-00	2	5/8" Spring Eye Bolt
107007	007-007-00	2	5/16" Keeper Bolt
106038	006-038-00	2	5/8" Lock Nut
106011	006-011-00	2	5/16" Lock Nut

Part #	Dexter #	Qty	Description
129039-04	029-039-04	2	Center Hanger
113118-03	013-118-03	2	Equalizer
107181	007-181-00	2	5/8" Spring Eye Bolt
107007	007-007-00	2	5/16" Keeper Bolt
107182	007-182-00	2	1" Equalizer Bolt
106038	006-038-00	2	5/8" Lock Nut
106011	006-011-00	2	5/16" Lock Nut
106112	006-112-00	2	1" Lock Nut

**See Dexter Catalog For More Information**