



Rack & Gear Jacks "by Bulldog" See page F18 for more Rack & Gear parts

Part #	Description	Lift Capacity	Maximum Tongue Lift
30750	#30770 Rack – Post w/Gear Box #30769 & 18476 Hardware. Fits up to 3" x 5" Tongues.	750 lbs	30"



Bolt-On Fixed Zinc Finish; Square Tube

Part #	Lift Capacity	Wind	Base	Travel	Measurements			Mfg's Part #	Tube Dia.	
					Retracted	Extended	Clearance		Inner	Outer
30743	2,500 lbs	Side	Drop Leg	15"	7.00"	35.50"	19.00"	HD2500	2.00"	2.25"
30748	5,000 lbs	Side	Drop Leg	15"	6.50"	35.00"	18.50"	HD5000	2.25"	2.50"



Part #	Lift Capacity	Wind	Base	Travel	Measurements			Mfg's Part #	Tube Dia.	
					Retracted	Extended	Clearance		Inner	Outer
30745	2,500 lbs	Side	Drop Leg	15"	7.00"	35.50"	19.00"	MJ2500B	2.00"	2.25"

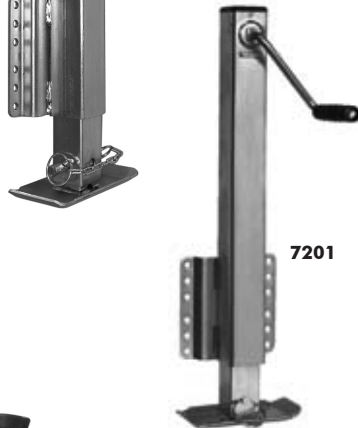


Part #	Lift Capacity	Wind	Base	Travel	Measurements			Mfg's Part #	Tube Dia.	
					Retracted	Extended	Clearance		Inner	Outer
7201	2,500 lbs	Side	Drop Leg	15"	7.00"	35.50"	19.00"	7201	2.00"	2.25"



No Mount Painted Finish; Round Tube

Part #	Lift Capacity	Wind	Base	Travel	Measurements			Mfg's Part #	Tube Dia.	
					Retracted	Extended	Clearance		Inner	Outer
30850	2,000 lbs	Side	None	13.75"	21.00"	34.75"	N/A	150052	2.00"	2.25"
30799	5,000 lbs	Top	Foot	15.00"	24.50"	39.50"	N/A	170151	2.00"	2.25"
30853	5,000 lbs	Top	None	14.25"	19.00"	33.25"	N/A	170148	2.00"	2.25"



30853

Information

Hubs and Axles

Brake Assemblies

Suspensions & Fasteners

Tires & Wheels

Couplers, Jacks & Winches

Hitches & Towing Accessories

Body Components

Boat Trailer Parts

Lights & Electrical

Locks & Cargo Control

Brake Actuating Systems

Switches