

Information

Hubs and Axles

Brake Assemblies

Suspensions & Fasteners

Tires & Wheels

Couplers, Jacks & Winches

Hitches & Towing Accessories

Body Components

Boat Trailer Parts

Lights & Electrical

Locks & Cargo Control

Brake Actuating Systems

Switches



30833



**Drop Leg Direct Weld**

Painted Finish; Square Tube; 12" Drop Leg

Part #	Support (Lift Capacity)	Wind	Base	Travel	Measurements		Mfg's Part #	Tube Dia.	
					Retracted	Extended		Inner	Outer
30833	8,000 lbs (7,000 lbs)	Side	Drop Leg	15"	23.50"	50.50"	SD7000	2.25"	2.53"
30818	8,000 lbs (7,000 lbs)	Top	Drop Leg	15"	22.50"	49.50"	TD7000	2.25"	2.53"



30838



**Drop Leg Direct Weld**

Painted Finish; Square Tube; 13.5" Drop Leg Extension

Part #	Support (Lift Capacity)	Wind	Base	Travel <sup>◇</sup>	Measurements		Mfg's Part #	Outer Tube
					Retracted	Extended		
30838	10,000 lbs (7,200 lbs)	Side	Drop Leg	15"	25.67"	54.17"	180455	3.00"

**Note:** ◇ 28.5" Total Extension = Travel + Drop Leg Extension



15181 (Sold Separately)

30840



**Drop Leg Direct Weld**

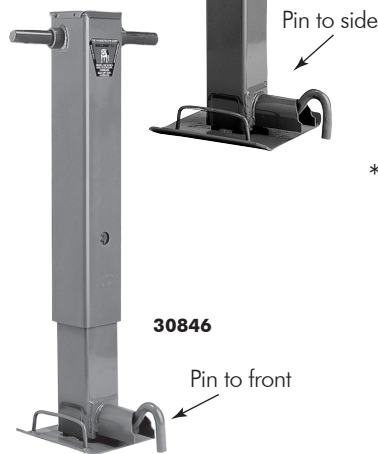
Painted Finish; Square Tube; 13.5" Drop Leg Extension

Part #	Support (Lift Capacity)	Wind	Pull Pin	Base	Travel <sup>◇</sup>	Measurements		Mfg's Part #	Outer Tube
						Retracted	Extended		
30840	12,000 lbs (10,000 lbs)	Side	Side	Drop Leg	12.50"	27.40"	53.30"	182400	4.00"
* 182411	12,000 lbs (10,000 lbs)	Side	Curb Side	Drop Leg	12.50"	28.50"	54.00"	182411	4.00"
30836	12,000 lbs (10,000 lbs)	Side	Side	Spring Return Drop Leg	12.50"	27.60"	53.60"	182800	4.00"
30846	12,000 lbs (10,000 lbs)	Side	Front	Spring Return Drop Leg	12.50"	28.60"	54.60"	182815	4.00"

**Note:** #15181 handle for 182 Series Jacks - Sold Separately.

\* #182411 is PIN TO CURB Companion jack to #30840, 182400, 182404 and 183401 2-speed

◇ 26" Total Extension = Travel + Drop Leg Extension



30846

Pin to front

Pin to side



### Drop Leg Direct Weld

Painted Finish; Square Tube; 13.5" Drop Leg Extension

Part #	Support (Lift Capacity)	Wind	Pull Pin	Base	Travel <sup>◇</sup>	Measurements		Mfg's Part #	Outer Tube
						Retracted	Extended		
30885	12,000 lbs (10,000 lbs)	Side	Side	Drop Leg	12.50"	27.40"	53.30"	SD10000	4.00"
30889	12,000 lbs (10,000 lbs)	Side	Front	Drop Leg	12.50"	27.40"	53.30"	TD10000	4.00"

**Note:** #30885 and 30889 include #15181 handle and both are spring return drop leg.  
<sup>◇</sup> 26" Total Extension = Travel + Drop Leg Extension



### Drop Leg Direct Weld

2- speed; Painted Finish; Square Tube; 13.5" Drop Leg Extension

Part #	Support (Lift Capacity)	Wind	Pull Pin	Base	Travel <sup>◇</sup>	Measurements		Mfg's Part #	Outer Tube
						Retracted	Extended		
183401	12,000 lbs (10,000 lbs)	Side	Side	Drop Leg	12.50"	28.50"	54.60"	183401	4.00"

**Note:** #15181 handle (Sold Separately)  
<sup>◇</sup> 26" Total Extension = Travel + Drop Leg Extension  
 Use #182411 as companion jack for dual jack applications



### Drop Leg Direct Weld

Painted Finish; Square Tube; 13.5" Drop Leg Extension

Part #	Support (Lift Capacity)	Wind	Base	Travel <sup>◇</sup>	Measurements		Mfg's Part #	Outer Tube
					Retracted	Extended		
30819	12,000 lbs (10,000 lbs)	Top	Drop Leg	12.50"	23.40"	49.40"	182300	4.00"

**Note:** #15181 handle (Sold Separately)  
<sup>◇</sup> 26" Total Extension = Travel + Drop Leg Extension



### Drop Leg Direct Weld

Painted Finish; Square Tube; Screw Jack; 10" Drop Leg Extension

Part #	Support (Lift Capacity)	Wind	Pull Pin	Base	Travel <sup>◇</sup>	Measurements		Mfg's Part #	Outer Tube
						Retracted	Extended		
30844	18,000 lbs (10,000 lbs)	Side	Side	Drop Leg	12.5"	25.00"	47.50"	22482	4.50"

**Note:** Includes handle  
<sup>◇</sup> 22.50" Total Extension = Travel + Drop Leg Extension



30885



183401



15181 (Sold Separately)



30819



30844

Information

Hubs and Axles

Brake Assemblies

Suspensions & Fasteners

Tires & Wheels

Couplers, Jacks & Winches

Hitches & Towing Accessories

Body Components

Boat Trailer Parts

Lights & Electrical

Locks & Cargo Control

Brake Actuating Systems

Switches

