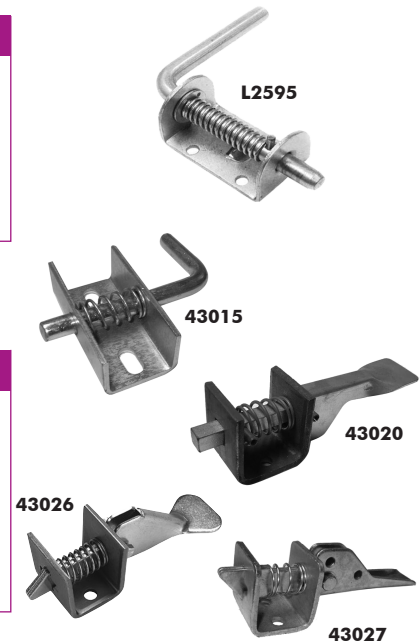


Spring Latches

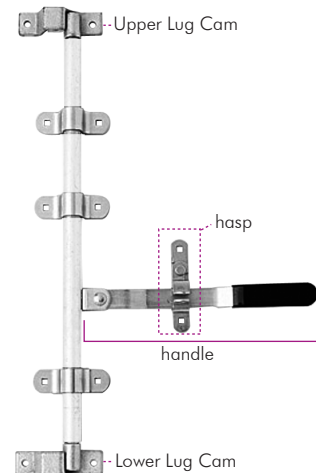
Part #	Description	Note
L2595	1/2" pin extends 1" past bracket 1 1/2" x 1 1/4" mounting pattern for 1/4" bolts	<ul style="list-style-type: none"> • Spring loaded bolt can be locked in the open position. • Turning lever allows the bolt to close under spring pressure. • Zinc plated bolt, housing and keeper.

Part #	Description	Note
43015	5/8" round plunger, bolt-on	For boat, snowmobile, or utility trailers that tilt. Holds tilt bed securely while towing. Zinc plated for maximum corrosion resistance.
43020	1/2" square plunger, weld-on	
43026	1/4" 4-way plunger, weld-on	
43027	1/4" 4-way plunger, weld-on, reverse handle	



Door Latch Kit

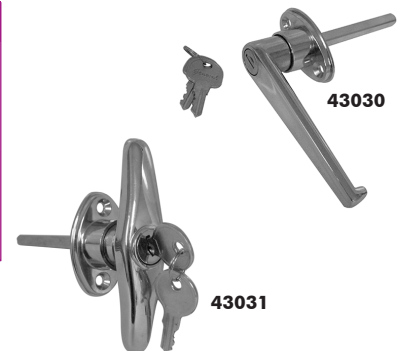
Part #	Description
43010	Zinc Plated Cam Action Door Latch Kit (3/4" pipe NOT included)
43010-1	Hasp Only
43010-2	Handle Only
43010-3	Upper Lug Cam
43010-4	Lower Lug Cam



Door Handles

Part #	Description
43030	"L" type door handle; Chrome plated handles rotate full 360° Can be locked in 4 positions spaced 90° apart Shaft is standard 5/16" square C-C of mounting hole 1 1/2"
43031	"T" Type door handle; Outside surface mount; Chrome plated; Full 360° rotation; 5/16" square shaft 1 1/2" center to center mounting holes; Can be locked in 4 positions spaced 90° apart

Note: Door Handle Cam Must Be Ordered Separately



Door Handle Cam

Part #	Description
43032	2" Door handle cam; Zinc plated steel with set screw to secure to 5/16" shaft. For use with #43030 and 43031



Information

Hubs and Axles

Brake Assemblies

Suspensions & Fasteners

Tires & Wheels

Couplers, Jacks & Winches

Hitches & Towing Accessories

Body Components

Boat Trailer Parts

Lights & Electrical

Locks & Cargo Control

Brake Actuating Systems

Switches