

### Ball Coupler Latch Locks

Secures trailers when parked or in tow by preventing operation of the ball latch.

**DeadBolt**

Part #	Pin Diameter	Usable Length
2567	1/4"	1/2"



Part #	Pin Diameter	Usable Length
2556	1/4"	7/8"

**DeadBolt**

Part #	Pin Diameter	Usable Length
2566	1/4"	2"



Part #	Pin Diameter	Usable Length
2578	1/4"	2 1/2"



Part #	Pin Diameter	Usable Length
1475DAT	5/32"	7/8"
1471DAT	5/32"	3 1/2"



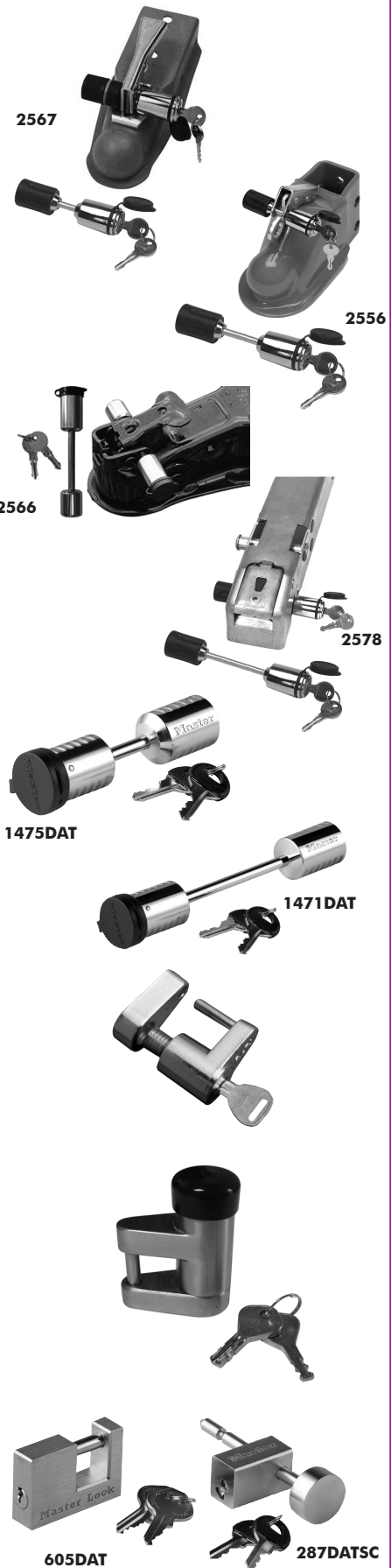
Part #	Pin Diameter	Usable Length
11215	1/4"	3/4"



Part #	Description
LL104	Fits coupler latches up to 5/8" wide. Also use on trailer door latches, storage units or cargo & toolboxes. Stainless steel construction with patented ball-bearing locking system. O-rings inside and rubber cap keep out moisture and dirt. Lifetime warranty.



Part #	Description
605DAT	Solid brass body with 3/4" opening 5/32" case hardened steel shackle
2847DATSC	Stainless steel, adjustable coupler latch lock



Information

Hubs and Axles

Brake Assemblies

Suspensions & Fasteners

Tires & Wheels

Couplers, Jacks & Winches

Hitches & Towing Accessories

Body Components

Trailer Parts

Lights & Electrical

Locks & Cargo Control

Brake Actuating Systems

Switches