

# Installation Instructions

## BH10-Series Combination Hitch

### Hitch Capacity

4,000 lbs. Max. Vertical Load  
20,000 lbs. Max. Trailer Weight

#### **WARNING:**

Maintain adequate vertical (tongue) load to properly control the trailer (generally 10%), but do not exceed the above rated capacities.

### Towing Applications

Trailers and equipment designed for over-the-road towing within the stated capacities. For off-road applications, reduce the capacities listed above by 25% and use in conjunction with a swivel-type drawbar. This pintle hook/ball hitch is well suited for use in the utility and construction industries.

### Drawbar Eye/Ball Hitch Dimensions

2-3/8" – 3" I.D. with 1-1/4" – 1-9/16" diameter section  
2" or 2-5/16" SAE J 684 Ball Hitch Coupler.

### Mounting

1. Use a mounting structure of sufficient strength to support the rated capacity of the pintle hook in accordance with SAE J849b.
2. Use the hole pattern template supplied with the pintle hook.
3. Use four 9/16" grade 8 bolts, torque to 120 ft-lbs.

### Operating Instructions for Pintle Hook

1. Before operating, inspect for proper operation, worn, damaged or missing parts and secure mounting. Correct as required before use.
2. Open latch by removing safety pin, pulling plunger and rotating latch open.
3. Position drawbar eye over the horn of the pintle and lower into place.

#### **WARNING:**

Do not damage the latch. Be particularly careful with the drawbar when coupling and uncoupling.



4. To close latch, pull plunger, rotate latch closed and release plunger. Plunger must be fully engaged to lock the latch. Assembly safety pin.

### Operating Instructions for Ball Hitch

1. Before operating, inspect for proper operation, worn, damaged or missing parts and secure mounting. Correct as required before use.
2. Open latch by removing safety pin, pulling plunger and rotating latch open.
3. Replace safety pin in hole to retain latch in open position.
4. Position ball coupler over the proper size ball and lock into place, following the instructions of the coupler manufacturer.

#### **WARNING:**

Other steps and inspections are also required. Consult D.O.T. regulations and American Trucking Association for complete coupling and uncoupling procedures.

## Maintenance

For proper performance, perform the following every 30,000 miles or three months, whichever comes first:

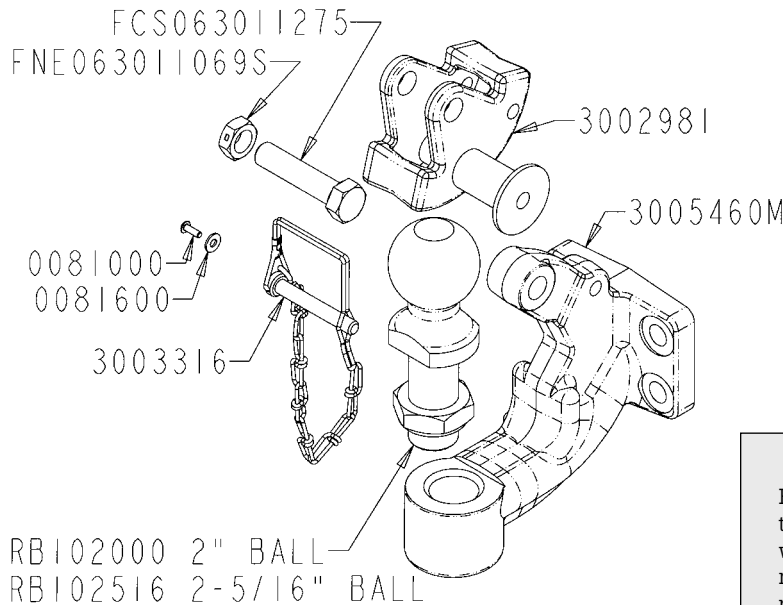
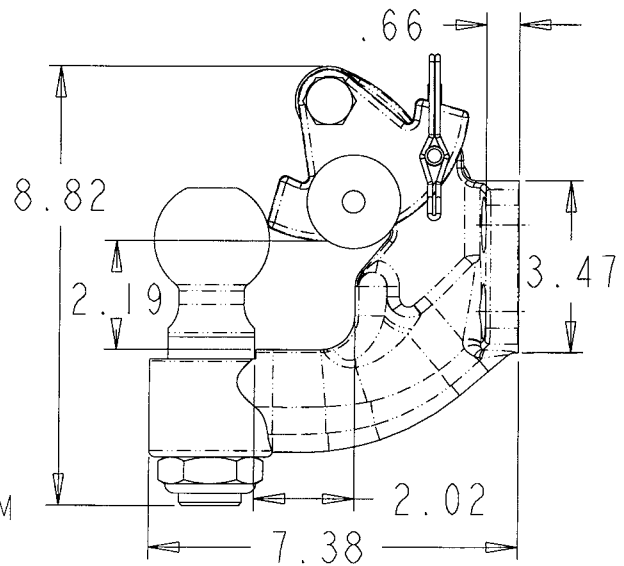
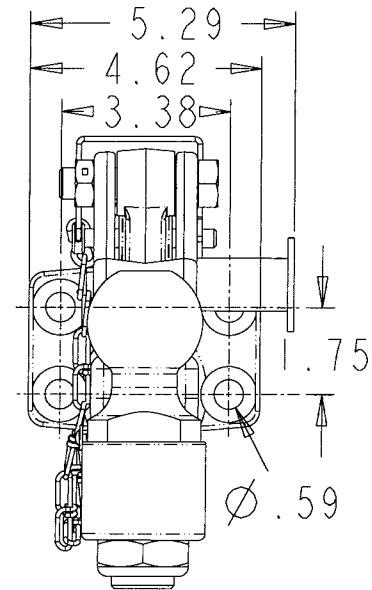
1. Clean and inspect for proper operation.
2. Inspect for worn, damaged or missing parts. Replace only with Buyers parts.
3. Regularly lubricate latch and lock pivots with a light oil lubricant.
4. Check the mounting bolts for proper torque.

## Ball Replacement

1. Use only Buyers replacement balls.
2. Torque locknut to 350 ft. lbs.
3. Replace prevailing torque locknut when it falls below 90 inch lbs. of torque required to thread onto ball shaft.
4. Check torque specification of ball every 200 miles of towing.

### **WARNING:**

It is the user's responsibility to be sure that the pintle hook mounting surface is capable of 4,000 lbs. vertical load and 20,000 gross trailer weight



### **WARRANTY**

Buyers Products Co. warrants all truck/trailer hardware manufactured or distributed by it, to be free from defects in material and workmanship for a period of one year from date of shipment. Parts must be properly installed and used under normal conditions. Any product which has been altered, including modification, misuse, accident or lack of maintenance will not be considered under warranty. Normal wear is excluded. The sole responsibility of Buyers Products Co. under this warranty is limited to repairing or replacing any part or parts which are returned, prepaid, and are found to be defective by Buyers Products Co. Authorization from Buyers Products Co. must be obtained before returning any part. No charges for transportation or labor performed on Buyers' products will be allowed under this warranty.