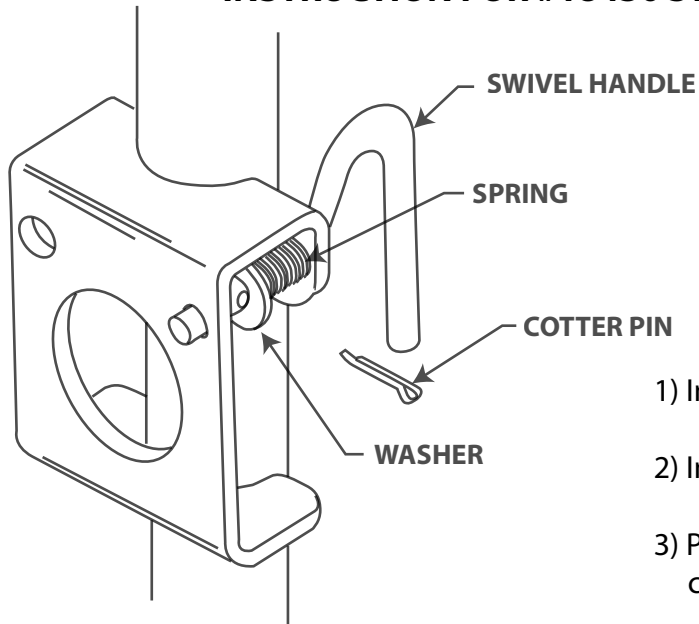


INSTRUCTION FOR #18430 SWIVEL PIN FOR DL6400



- 1) Insert new spring and washer as shown.
- 2) Insert swivel handle through hole.
- 3) Pry washer up from bracket and drop cotter pin through hole.
- 4) Turn swivel handle 1/2 turn and spread prongs of cotter pin.



DUTTON-LAINSON
COMPANY SINCE 1886