

# HI-POWER 2,500 Acme Jack

## Owner's Instructions (P/N 27448, 27450)

H&H Engineering "Hi-POWER" Acme Jack is designed to lift up to 2,500 pounds a full 18 inches. Its design also includes a built in leveling device, attached foot plate, and an emergency crank adapter. An important part of owning and using HI-Power Jack is being sure it is properly installed and serviced.

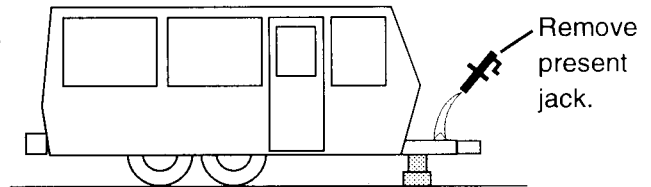
### GENERAL SAFETY

- Read and understand the Power Jack installation instructions.
- Always block trailer wheels when using the jack.
- Remove jewelry (watches, rings, etc.).

### BEFORE INSTALLATION

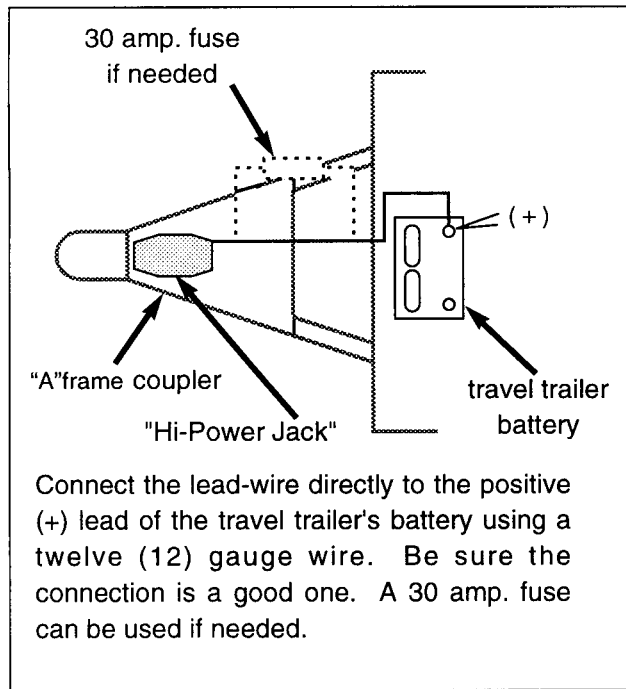
Raise your travel trailer's front end and place blocks or stabilizing jacks under the front "A" frame.

Lower the trailer until it rests securely on stabilizing jacks or blocks. Retract present jack and remove it.



### INSTALLATION

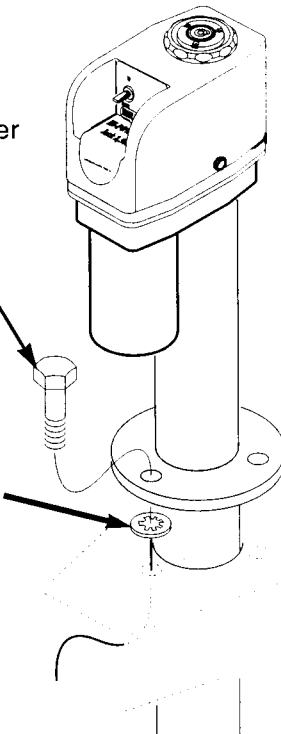
Install Power Jack in hole and secure with, 3 bolts, 3 internal tooth lock-washers (bolt holes are threaded). Attach the foot plate to HI-POWER Jack with 1/2-20 bolt and 1/2" lockwasher.



Supplied by customer

### IMPORTANT

To insure a good electrical ground an internal tooth lock-washer must be in place for this bolt. Make sure powdercoat or paint is removed from "A" frame coupler under washer and that tagged hole is used.



### IMPORTANT NOTICE

Powerhead may be repositioned and rotated to eliminate interference with LP gas cylinder shroud.

- Just loosen set screws on powerhead collar, position head in desired location and retighten set screws.



DIVISION OF BARKER MFG. CO. / 730 E. MICHIGAN AVE. / P.O. BOX 460 / BATTLE CREEK MI 49016 / (616) 965-2371

© Copyright H&H Engineering 1989

HI-POWER2,500  
P/N 27653

REV. 10/10/01  
1 of 4

# HI-POWER 2,500 Acme Jack Owner's Instructions

## OPERATION (ELECTRIC)

-REMEMBER TO KEEP HANDS AND FEET FROM UNDER THE FOOT PLATE WHEN USING POWER JACK.

-WHEN THE HI-POWER JACK REACHES THE END OF IT'S TRAVEL(EITHER RAISING OR LOWERING) THE INTERNAL CLUTCH ACTIVATES

-DOLLY WHEELS ARE NOT RECOMMENDED.

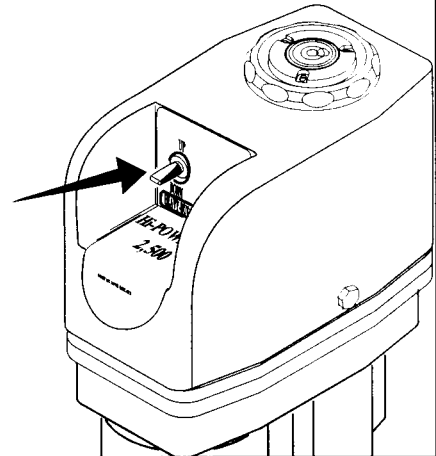


## WARNING

Avoid the risk of injury to yourself and others:

- Use the jack for lifting the travel trailer only.
- Never get beneath the travel trailer when it is supported by the jack.
- Support the vehicle with the appropriate means.

Jack will raise and lower by this toggle switch.

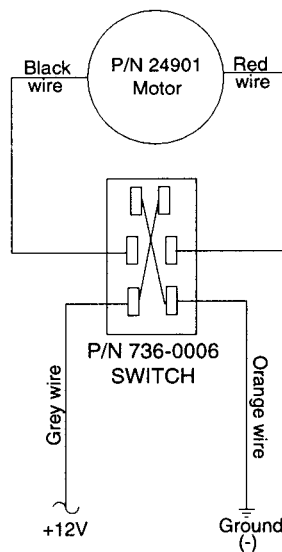


## MAINTENANCE

Once a year, the powerhead should be removed and a liberal amount of grease (preferably a grease with high melting point) applied directly to the coupling on which the drive pin rests. DO NOT POUR OIL into top of jack post.

Once a year, the housing cover should be removed and the gears inspected for proper lubrication. Remove 4 screws and tap around edges of housing to free the cover--DO NOT insert screwdriver blade--this may damage mating surfaces. Before replacing cover, clean mating surfaces. If lubrication is needed, use Lubriplate GR-132 grease or equivalent.

## Schematic Wiring Diagram

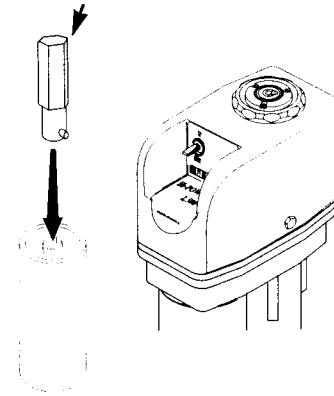


# HI POWER 2,500 ACME JACK OWNER'S INSTRUCTIONS

## OPERATION (MANUAL)

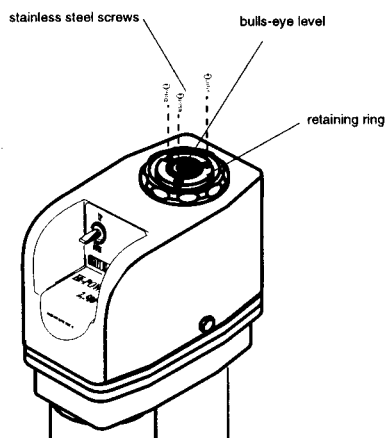
If an electrical failure should ever occur the emergency handle may be inserted into the jack post and the jack can be raised or lowered. (1) remove powerhead (2) insert crank adapter. (3) use 9/16 socket-wrench to adjust post.(supplied by customer)

9/16 Hex Crank Adapter



## INITIAL SET-UP AND HOW TO USE YOUR HI-POWER JACK LEVEL

1. Install you Hi-Power Jack per previous instruction
2. place a small level inside your RV on a surface you want to level. This might be a counter top or freezer compartment of a refrigerator. **Note:** It will be necessary to move this level to check side to side and back to front condition.
3. Check the "inside level", level your trailer from side to side with stabalizing jacks or board under the wheels
4. Checking the "inside level", level your trailer front to back using your Hi-Power Jack
5. Carefully adjust the 3 small stainless steel screws on the ring that surrounds the built in bulls-eye level (see picture) until the air-bubble is inside the middle circle mark, it will then be leveled.



In the future, you can do all your leveling by using your Hi-Powered Jack built ing level

