



# Roller Guides

Assembly Instructions

Part #86102

This kit contains the following components:

Description	Qty.
Roller Guides	2
Upper Mounting Plate	2
Lower Mounting Plate	2
3/8" x 5" Hex Head Bolt	8
3/8" Hex Nyloc Nut	8
3/8" Flat Washer	16
Plastic Caps	2

Tools required:

9/16" deep socket & 9/16 wrench

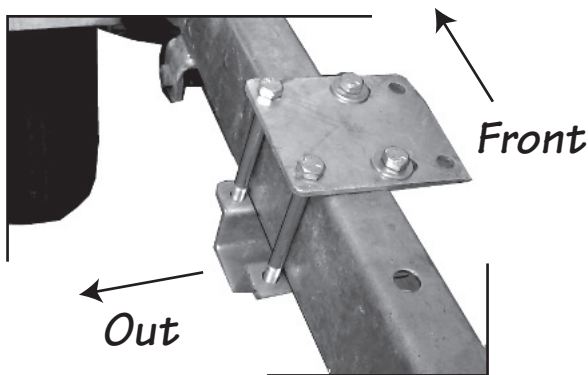
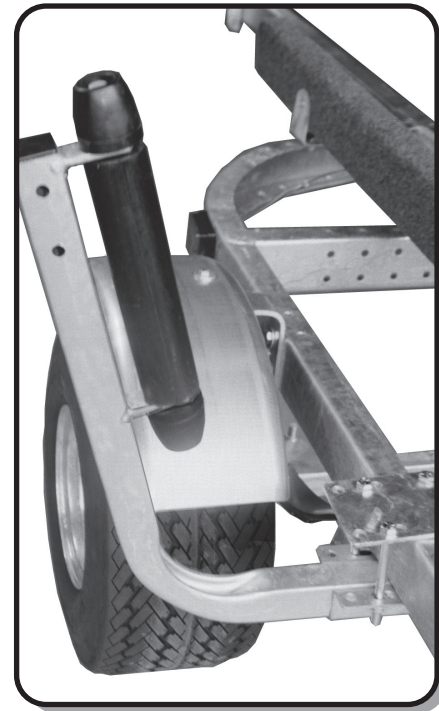


Figure 1

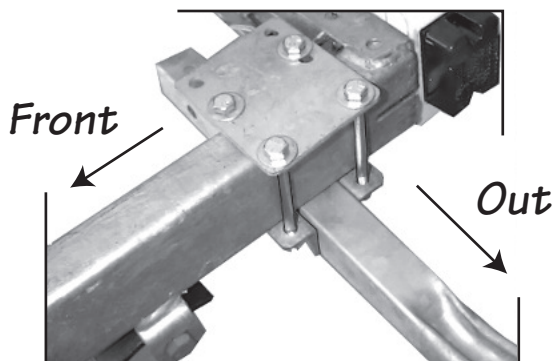


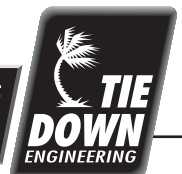
Figure 2

Installing your Boat Guides:

1. Before assembling the mounting hardware as shown in figure 1, decide where you will want the guides placed on your trailer.
2. Using 4 - 3/8"x5" carriage bolts, 8 flat washers and 4 nyloc nuts, for each, attach the guide support mounts onto your trailer frame, as shown in figure 1. Use the holes that will keep the bolts closest to the frame tube. Finger tighten at this time. Repeat for other side.
3. Slide the guide support tube into the assembly as shown in figure 2.
4. Adjust the guide for proper distance on each side. Tighten support mounts bolts at this time.
5. Insert the caps on the top of the guide tube.

Instructions # 15340

**TIE DOWN ENGINEERING • 5901 Wheaton Drive • Atlanta GA, 30336**  
**www.tiedown.com • (404) 344-0000 • FAX (404) 349-0401**



042105,A805