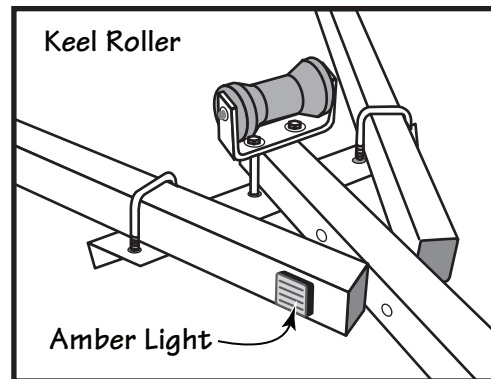
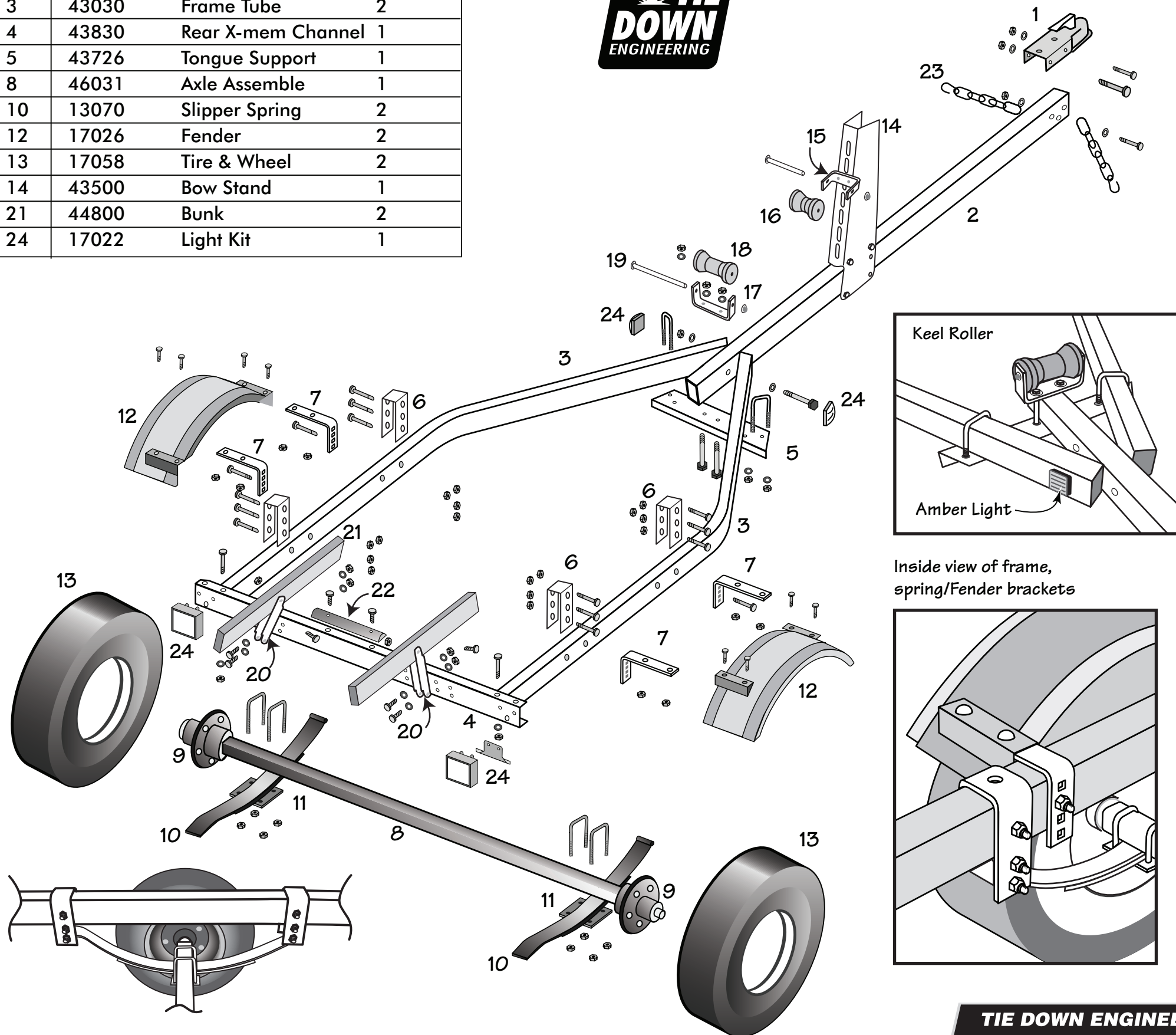


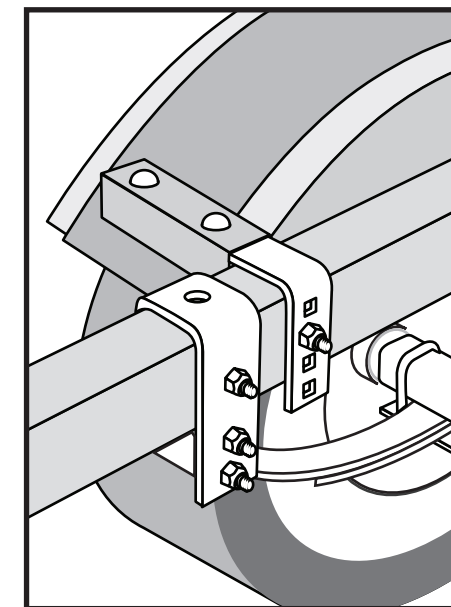
	Part #	Description	Quantity
1	BCOUPCL1	Coupler	1
2	43205	Tongue	1
3	43030	Frame Tube	2
4	43830	Rear X-mem Channel	1
5	43726	Tongue Support	1
8	46031	Axle Assemble	1
10	13070	Slipper Spring	2
12	17026	Fender	2
13	17058	Tire & Wheel	2
14	43500	Bow Stand	1
21	44800	Bunk	2
24	17022	Light Kit	1



Trailer Assembly Instructions



Inside view of frame, spring/Fender brackets



	Part #	Description	Quantity
6	44406	Spring Hanger	4
7	44205	Fender Bracket	4
9	81085A	Hub	2
11	44556	Axle Tie Plate	2
15	43652	Bow Roller Bracket	1
16	BRROLLER3	3" Keel Roller	1
17	44059	5" Keel Roller Bracket	1
18	BRROLLER5	5" Keel Roller	1
19	44604	Roller Shaft 5/8"	1
20	86125	Bunk Bracket	2
22	17055	Keel Pad	1
23	81292	Safety Chain	2

Part #	Description	Quantity
10913	Hex Cap Screw 3/8"x3/4"	4
10543	Hex Cap Screw 3/8"x3-1/2"	5
10536	Hex Cap Screw 1/2"x4"	3
83047Z	U-Bolt	4
83006Z	U-Bolt	2
10804	Carriage Bolt 3/8"x1"	8
10537	Hex Cap Screw 3/8"x3"	9
10539	Hex Cap Screw 3/8"x2-1/2"	2
10540	Hex Cap Screw 3/8"x4"	3
10543	Hex Cap Screw 3/8"x3-1/2"	5
10904	Self Tap Screw	2
BBPELLNUT625	Pell Nut 5/8"	2
10627	Nyloc Nut 3/8"	43
10645	Nyloc Nut 1/2"	15
10502	Flat Washer 3/8"	16
10016	Hex Cap Screw 1/2"x1"	4
BBW500	Flat Washer 1/2"	8
BBB5000350	Hex Cap Screw 1/2"x3-1/2"	8

TIE DOWN ENGINEERING • 5901 Wheaton Drive • Atlanta GA, 30336
 www.tiedown.com • (404) 344-0000 • FAX (404) 349-0401

