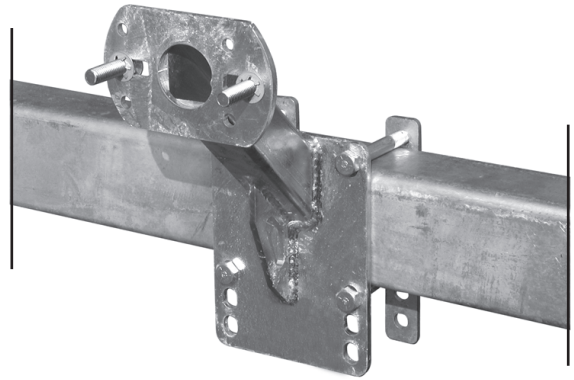




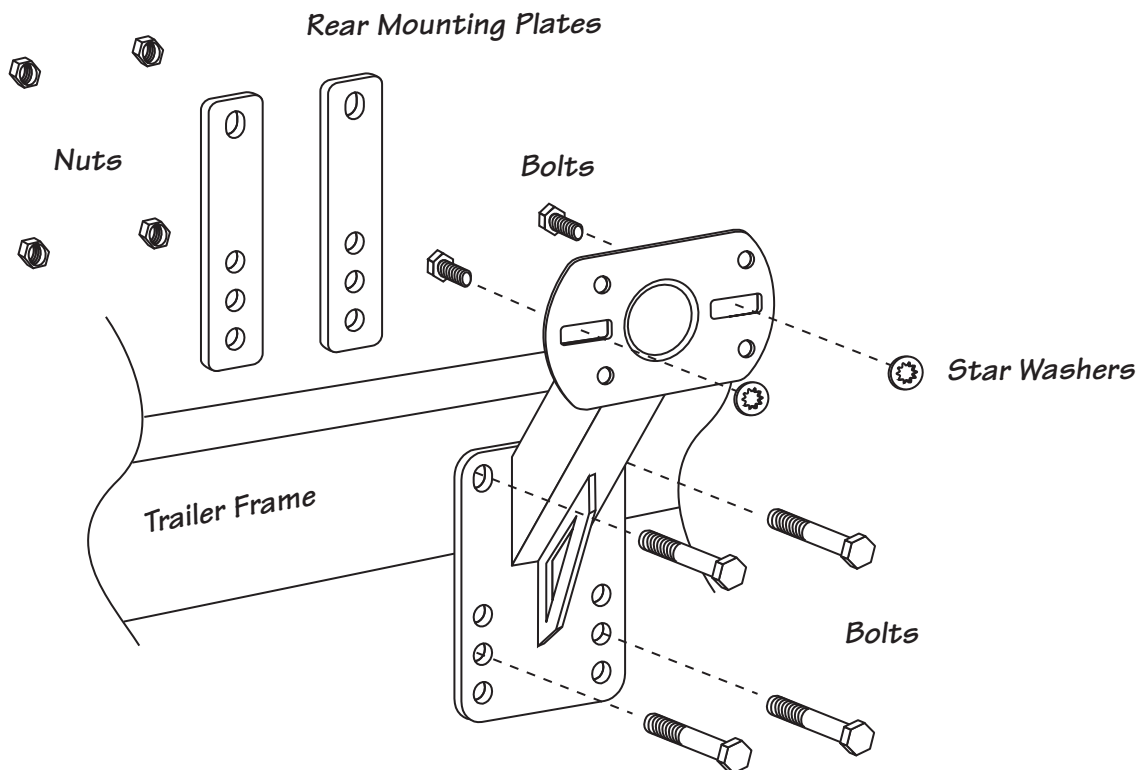
best in the  
**LongRun**



## Spare Tire Carrier Instructions Part #86069

### Mounting Instructions

1. Using the spare tire carrier and spare tire as a guide determine a suitable mounting location on trailer frame.
2. Slide bolt through front (top) tire carrier, over the frame and through the mounting bracket. Use the bolt pattern that fits closest to the frame. Loosely mount with washers and nuts provided. Repeat #2 for the last rear mounting bracket.
3. Using the spare tire to determine the correct holes to use, place the carriage bolts provided for mounting the spare tire in the holes of the rectangular plate. Bolt heads should be on the back side of the tire carrier. Secure bolts with "star" washers.
4. Check position of the tire mount for proper clearance with the spare tire before tightening bolts.
5. Once position is determined tighten all (4) mounting bolts/nuts.
6. Mount spare tire and tighten lug nuts.



Instruction Sheet #

**TIE DOWN ENGINEERING • 5901 Wheaton Drive • Atlanta GA, 30336**  
**www.tiedown.com • (404) 344-0000 • FAX (404) 349-0401**



010405A842